

key
ULTRA™

**MAKE IT
UNION**



keyULTRA™ has evolved...

**Master keying expertise, value and
choice in one patented solution**



ASSA ABLOY

Trusted by **Professionals**

ASSA ABLOY, the global leader
in door opening solutions

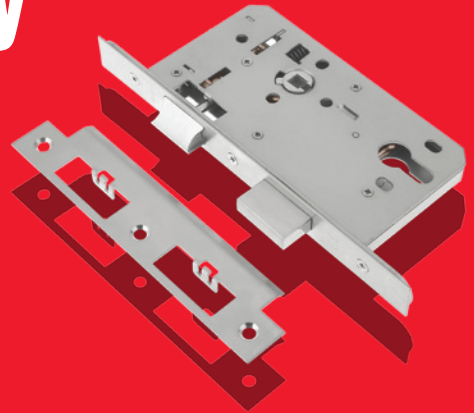
**Quality,
Reliability,
Expertise...**

**...three solid reasons
to choose UNION**



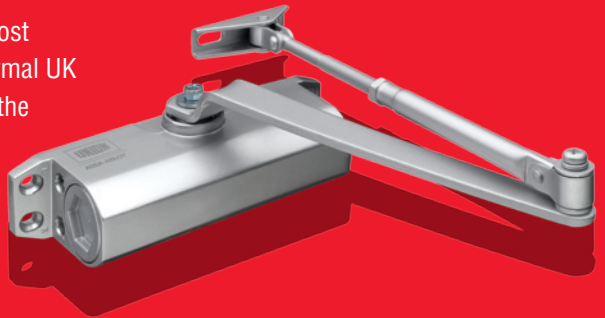
UNION quality

Achieving the perfect combination of technology and materials, each and every one of our products is manufactured to the highest specification – resulting in a quality of product that others can only aspire to.



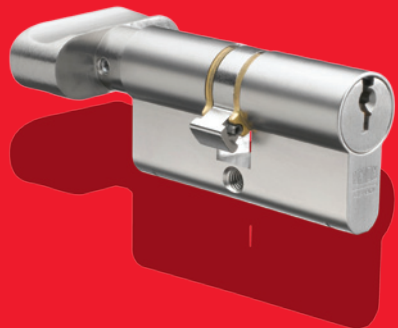
UNION reliability

All of our products undergo the most rigorous testing – way beyond normal UK standards – in order to guarantee the longest lifetime of excellent performance.



UNION expertise

Established as a manufacturer back in 1840, our expertise and heritage is second to none and combined with ASSA ABLOY's dedication to research and development - you can be confident that you're fitting a product you can trust.



keyULTRA™ is the right choice for your next patented master key solution.

An exclusive 6 pin system using patented DuraPIN™ technology, keyULTRA™ ensures your clients and their businesses remain secure.

keyULTRA™ is now available in a choice of six aesthetically pleasing, high specification finishes to suit your customers' needs.

Our master keying calculating and expertise is second to none, with a dedicated department ensuring simplicity and value with every suite.

Make the right choice... make it UNION.

For further information please visit www.uniononline.co.uk/keyultra or contact us on 0845 223 2124



Reasons to choose keyULTRA™

key
ULTRA™

1. Patented until 2028

Innovative patented technology utilising an interactive DuraPIN™ to ensure that your master key system is secure.

2. Secure control of keys

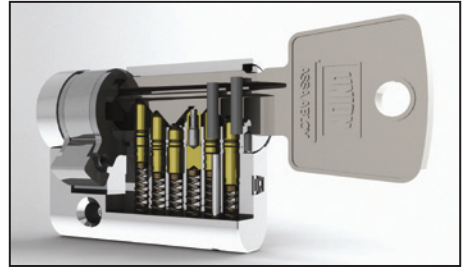
keyULTRA™ nickel silver keys can only be purchased direct from UNION. The specialised patented cut works in conjunction with the DuraPIN™ technology, to provide the highest level of key security. In addition, the 3mm thick key and oversized key bow offers added strength and ease of use.

3. Simple, sleek, suited

Our keyULTRA™ cylinders are now available in a choice of six high quality finishes, with our new brushed satin nickel finish supplied as standard. In addition, UNION has introduced a new Stadium thumbturn to further complement the UNION door furniture range.

4. Your complete solution

A wide variety of keyULTRA™ cylinder profiles can be specified to ensure that all doors on your system are accommodated, with the assurance of a high quality British designed and manufactured product.



keyULTRA™ Security Features



In accordance to BS EN 1303:2005



Highest Key Related Security

keyULTRA™ offers extensive master keying capability for any system requirements with over 550,000 possible key differs - above and beyond the 100,000 differs needed to meet the highest level of key-related security (Grade 6).



Maximum Attack Resistance

keyULTRA™ achieves Grade 2*, the highest level of attack resistance which includes testing against:

- Drilling
- Chisel attack
- Twisting
- Plug extraction



High Durability

keyULTRA™ has been tested to over 500,000 cycles, five times higher than the British standard requirement and achieves grade 6, the highest grade of durability.

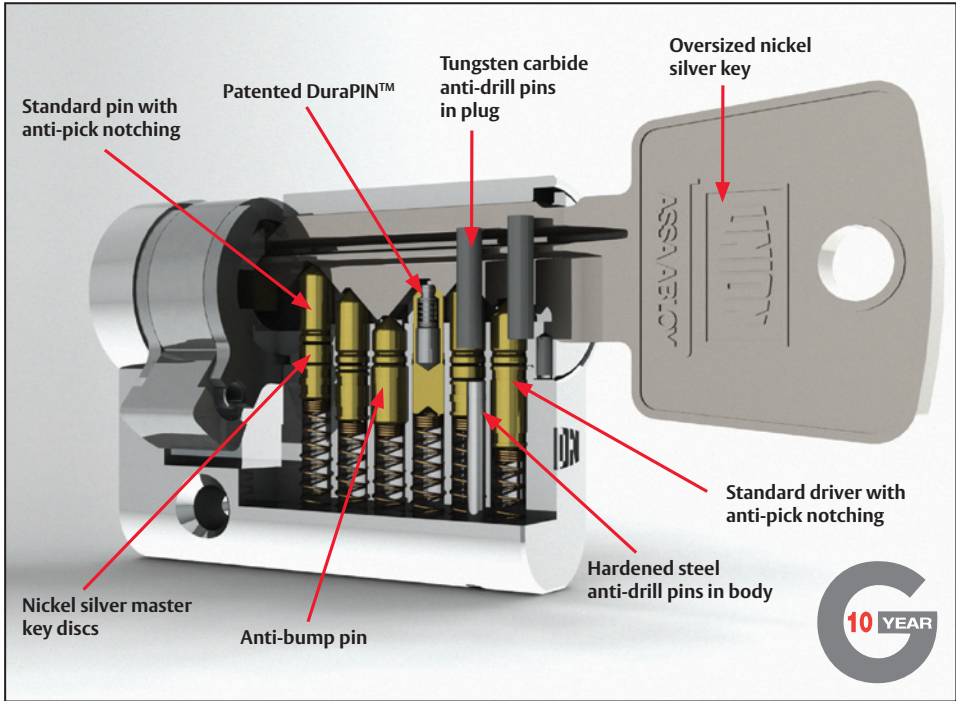


Fire Door Tested

keyULTRA™ has been successfully used in a fire door test in accordance with BS EN 1634-1:2000, passing both 30 and 60 minute tests.

*keyULTRA™ cylinders reach specified attack resistance when used in conjunction with a high security cylinder rose (53043 or 3C14E security rose packs).

keyULTRA™ Technical Elements



DuraPIN™ Patented Technology

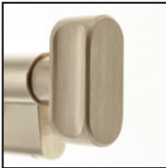





Patented until 2028, DuraPIN™ technology offers protection on both the keyULTRA™ key blank and cylinder.

This unique technology prevents unauthorised key copying and protects your investment with your customers.

Note - Locksmith/Dealer section also available, please speak to our master key department for more details on 01902 364189.

High quality finishes for your project...

keyULTRA™ is proud to offer a range of high specification finishes to suit your customers' needs.

	Finish	Ref code
	Brushed Satin Nickel*	SN
	Satin Chrome	SC
	Polished Chrome	CH
	Satin Brass	SB
	Polished Brass	PL
	Antique Brass	AB

*Standard supplied finish

Special Function Cylinders

keyULTRA™ is also available with a range of special functions to meet modern specification requirements

Classroom Function

The classroom function in a thumb turn cylinder allows the user to rotate the thumb turn in one direction only i.e. clockwise only or anti-clockwise only.

This is usually used to ensure that a person inside a room can't lock anybody out, but can always escape in an emergency. The cylinder is also clutch release as standard, so an individual in the room can't prevent a keyholder from entering.

UNION classroom cylinders are designed to allow the installer to hand cylinders on site to suit their requirements.

Clutch Release Function

A clutch release thumb turn cylinder is designed to prevent individual on the inside of the door, from holding the turn and locking key holders out.

Insertion of the key disengages the clutch, which allows the turn to rotate freely, without engaging the cam.

Construction Keying Function

A construction key cylinder is typically used on building sites, where employees need access to the building during construction, but should not have access when the home owner has moved in.



keyULTRA™ Cylinder Range



Euro single



Euro double



Euro single turn



Euro key and turn



Oval single



Oval double



Oval single turn



Oval key and turn



Screw in cylinder



Rim cylinder



**Scandinavian
outer**



**Scandinavian
inner**

Thumb turn range



Stadium*



Round



Diamond



Large



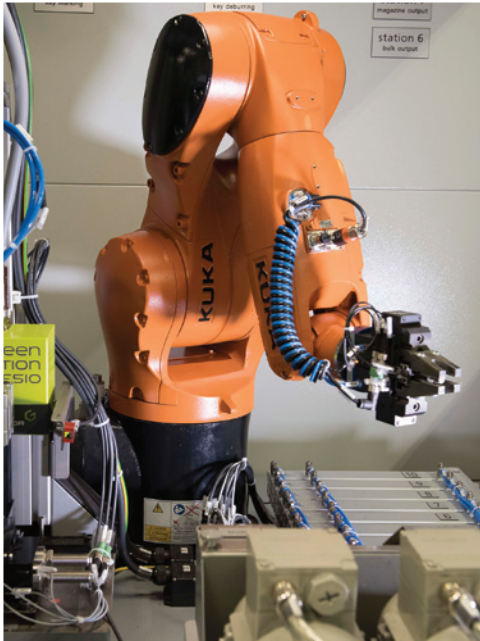
**Brass
padlocks**



**High security
padlocks**

*Standard thumb turn design supplied

Made in the UK





Over 100 years of master keying heritage

keyULTRA™ is produced at our state of the art manufacturing facility in Willenhall, to ensure a market leading service for you and your customers.

UNION have been providing complex master keying services and suite calculations to the UK for over 100 years, with over 200 years of combined experience within our dedicated master key team.

UNION can offer you an unrivalled master key service for your next keyULTRA™ suite, ensuring accuracy and simplicity for your bespoke solution.

Please call us for master key enquiries on 01902 364189



Market Leading Service

All keyULTRA™ cylinders are distributed through a reliable tracked delivery service, ensuring that your system and expectations are never compromised.



Delivery on all standard sizes and finishes*

*Please enquire with our master key department on lead times for non standard offsets and finishes



BS EN 1303 Guidelines

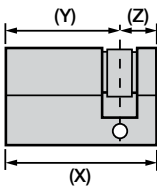
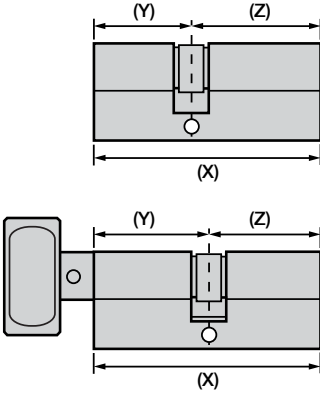
This product has been successfully type-tested for conformity to all of the requirements of BS EN 1303:2005

1 6 0 1 0 C 6 2*

*When used with appropriate security escutcheon (euro and oval cylinders only)

Box	BS EN 1303 Categories	keyULTRA™ Grade
1	Category of use	Grade 1 Keys shall resist a torque of 2.5Nm and still be usable
2	Durability (Grade 4 to 6)	Grade 6 100,000 Cycles - Highest Grade achieved
3	Door mass	Grade 0 No requirement
4	Fire resistance (Grade 0 to 1)	Grade 1 Suitable for fire/smoke resistant door assemblies
5	Safety	Grade 0 No requirement
6	Corrosion and temperature resistance (Grade 0, A to C)	Grade C In accordance with BS EN 1670 grade 3 corrosion resistance (96 hours NSS) and resistance to -20/+80°C temperature extremes.
7	Key related security (Grade 1 to 6)	Grade 6 keyULTRA™ achieves the highest grade over 550,000 differs, five times the required British standard of 100,000
8	Attack resistance (Grade 0 to 2)	Grade 2* keyULTRA™ achieves the maximum resistance; 5 minutes drilling, 15kN plug pull and 30Nm torque resistance

Cylinder Size Conversion Table

	Reference Size	To Centre of Cam Y : X	Overall Cylinder Length (X)
Single Cylinders 	3010	31.5mm : 10.0mm	41.5mm
	3510	35.0mm : 10.0mm	45.0mm
	4010	40.0mm : 10.0mm	50.0mm
	4510	45.0mm : 10.0mm	55.0mm
	5010	50.0mm : 10.0mm	60.0mm
	5510	55.0mm : 10.0mm	65.0mm
	6010	60.0mm : 10.0mm	70.0mm
	6510	65.0mm : 10.0mm	75.0mm
	7010	70.0mm : 10.0mm	80.0mm
	7510	75.0mm : 10.0mm	85.0mm
	8010	80.0mm : 10.0mm	90.0mm
Double Cylinders / Key & Turn Cylinders 	3030	31.5mm : 31.5mm	63mm
	3035	31.5mm : 35.0mm	66.5mm
	3535	35.0mm : 35.0mm	70.0mm
	3070	31.5mm : 70.0mm	101.5mm
	3540	35.0mm : 40.0mm	75.0mm
	4040	40.0mm : 40.0mm	80.0mm
	4045	40.0mm : 45.0mm	85.0mm
	4545	45.0mm : 45.0mm	90.0mm
	4550	45.0mm : 50.0mm	95.0mm
	5050	50.0mm : 50.0mm	100.0mm
	5555	55.0mm : 55.0mm	110.0mm
	6060	60.0mm : 60.0mm	120.0mm
	6080	60.0mm : 80.0mm	140.0mm
	6565	65.0mm : 65.0mm	130.0mm
	7070	70.0mm : 70.0mm	140.0mm
	7575	75.0mm : 75.0mm	150.0mm
	8080	80.0mm : 80.0mm	160.0mm

**For further details on this or any of
the products in the UNION range please contact your
Regional Sales Manager or the Customer Services Department:**

ASSA ABLOY Security Solutions

School Street, Willenhall WV13 3PW

Tel: 0845 223 2124 Fax: 0845 223 2125 Email: info@uniononline.co.uk

www.uniononline.co.uk

Version 2 - March 2017



ASSA ABLOY

Trusted by **Professionals**

ASSA ABLOY, the global leader
in door opening solutions