

# Brass Padlocks

3104 / 310441 / 310442

## Cylinder Padlock



ASSA ABLOY

### Application:

- For general use

### Specification:

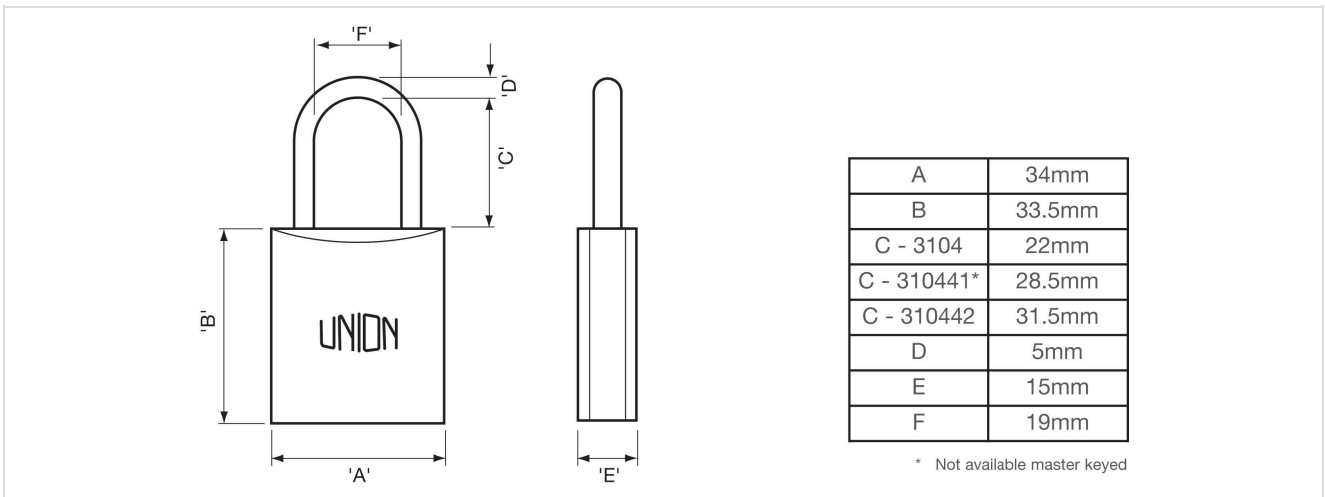
- Snaplocking, key required to unlock
- Non-key retention, shackle is spring loaded
- Shackle is retained when padlock is open
- Available with long (310441) or extra-long (310442) shackle clearances for different applications
- Body Width: 34mm
- Body Material: Brass
- Shackle Material: Manganese bronze
- Cylinder Type: 4-pin tumbler mechanism
- Keying Groups: May be supplied standard differ, keyed alike, keyed to pass or masterkeyed (310441 not available master keyed). Supplied with 2 nickel silver keys
- Key Blank: KB11-534-55



### Finish:

- Brass body

### Technical Design:



### Variants:

Code	Description
J3104	PADLOCK 4 PIN
JP3104	PADLOCK
JM3104	CYLINDER PADLOCK
JM310442	PADLOCK 4 PIN
JP310442	PADLOCK 4PIN