

ABLOY® INOXI 3-19/2750/242



Product description

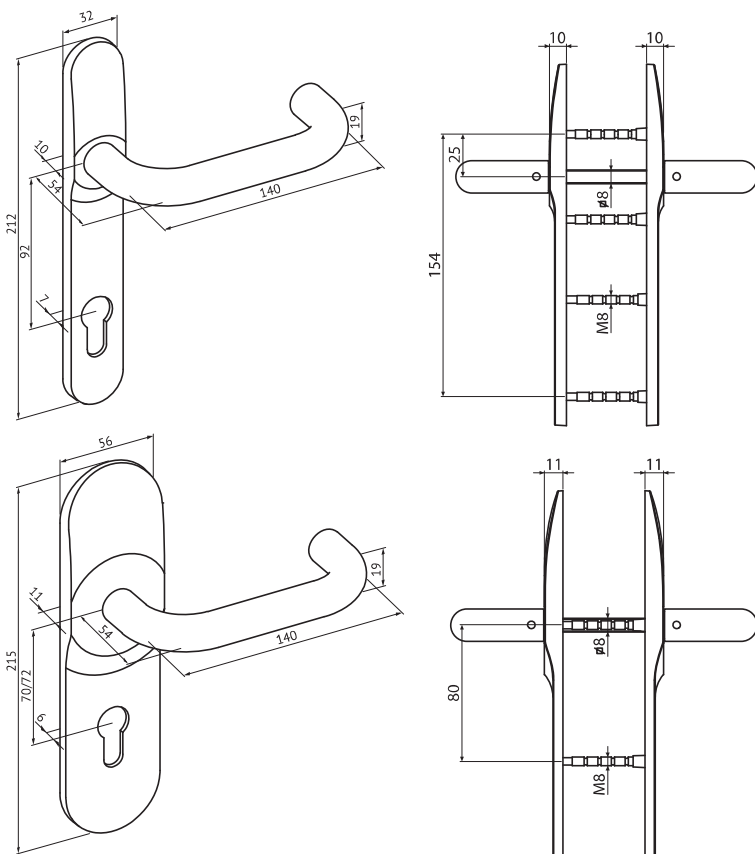
Handle for solid and profile narrow stile doors. Several versions for solid and profile doors, as a handle pair, inside handle and outside handle with PBE011 Panic bar.

Overview of Advantages

- Handle is equipped with return spring.

Technical data

| | |
|-------------------------|---------------------------------------------------------------------------------------|
| Material | Brass / Stainless steel |
| Surfaces | Chrome (Cr), Satin chrome (HCr), Brushed nickel (NiHa) Stainless steel (Rst) |
| Standards | EN 1906/3 (EH070 / EN 179) |
| Door thicknesses | 40–60mm, 60–80mm, 80–100mm |
| Suitable for fire doors | Yes |
| Delivery batch | 1 pair |
| Product code | DH070 (EH070) |



This content is protected by Intellectual Property Rights Laws. The title to the content shall not pass to you, and instead shall remain with Abloy Oy or a third party holding the title. Abloy develops continuously the products and solutions offered. Therefore, the information contained in the document is subject to change without notice. ABLOY PROVIDES THIS CONTENT ON AN "AS IS" BASIS WITHOUT ANY WARRANTIES OF ANY KIND, EXPRESS, IMPLIED, OR STATUTORY."