

Electric strike

75-57R-87935Q31



Most user friendly and versatile strike in the market.

Designed for medium-duty applications, this all-in one electric strike offers dual voltage and field selectable fail secure/fail safe operation.

The latch cavity accommodates cylindrical locksets with a 1/2" to 5/8" throw (5/8" requires 1/8" door gap) in wood or aluminum frames.

Monitoring included as standard and Built-in electronic (Buzzer).

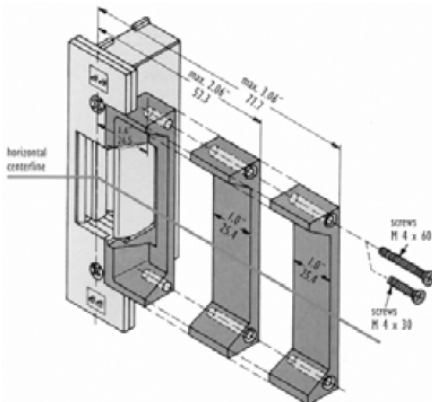
The standard ANSI lip in effeff electric strikes accommodates a 1-3/4" thick door which closes flush with the jamb. Where door/jamb relationship is different, one or more strike lip adapters may be added.

Note: The effeff mounting kit covers two extension lips, each 1". Should a smaller dimension be necessary, please cut it to the required dimension.



Overview of Advantages

- 12/24 V AC/DC
- Fail safe/ fail secure
- Monitored
- Pre load (Fail secure only)
- Stainless steel 4-7/8" x 1-1/4" plate
- easy to install and connect
- universal handing
- 5 year limited warranty



Technical data	
Voltage	12/24 V AC/DC
Adjustable latch (FF, FaFix®)	Yes
Fail-locked	Yes
Fail-unlocks	Yes
Break-in resistance	1,500 lbs
Operating temperature range	-10 °C to +40 °C
Installation position	vertical and horizontal
Load cycles for in-plant test	500,000
Suitability for fire protection	No
Inrush current 0.5 sec. Max.	500 mA
Rated current consumption 12 V DC	130 mA
Rated current consumption 24 V DC	70 mA
Rated current consumption 12 V AC	200 mA
Rated current consumption 24 V AC	70 mA
Max. latch preload AC 12-24 V	20 lbs
Max. latch preload DC 12 V	40 lbs
Max. latch preload 24 V	65 lbs