

TECHNICAL DETAILS

Operating voltage	12 - 24 V DC (-10%/+15%, stab.)
Current	max. 0.55A (12V DC) idle 0.3A (12V DC) max. 0.27A (24V DC) idle 0.13A (24V DC)
Temperature range	-25 - +70°C
Bolt throw	14 or 20 mm (EL580, EL582) 14 mm (PE580)
Backset	50, 70 mm (EL580, EL582) 50 mm (PE580)
Forend	22 mm
Spindle	8 mm

FINISH

Satin chrome plated forend

PACKAGE

Lock case, connection plugs, fixing screws, split spindle (EL580, PE580), lock case manual

CYLINDERS

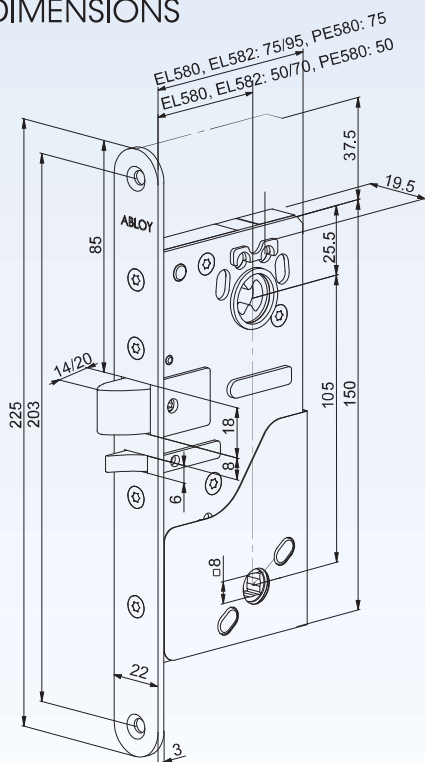
- Scandinavian oval and round cylinders: ABLOY NOVEL, ABLOY PROTEC² ASSA, RUKO, TrioVing or other
- Finnish type cylinders: ABLOY PROTEC²

STANDARDS

- EN 1634-1	Fire resistance
- EN 61000-6-1	EMC
- EN 61000-6-3	EMC
- EN 179	Emergency exit (EL580)
- EN1125	Panic exit (PE580)
- EN14846	Electromechanically operated locks and striking plates

Abloy electromechanical lock cases are always tested according to the latest versions of the standards

DIMENSIONS



ELECTROMECHANICAL LOCK CASES **ABLOY**[®] EL580, EL582 AND PE580 WITH HANDLE CONTROL

APPLICATIONS

ABLOY EL580, EL582 and PE580 are recommended to be used in the interior doors of business premises, public buildings, hospitals, educational premises etc.

Typical applications are the doors of

- offices
- consulting rooms
- storage rooms
- fire doors (medium traffic)
- technical maintenance rooms

The locks are suitable to be used also in the exterior doors of residential

buildings. They are best suited in medium traffic doors and can also be used in fire rated doors (EN).

The locks are not suitable to be used with door automatics.

EL580 and PE580 can be used in EXIT doors. Exit by inside handle / panic bar is always possible.

The locks are always automatically deadlocked when the door is closed.

The locks can be controlled by a variety of remote control systems, i.e. card reader, keypad and timer.

FEATURES

ABLOY EL580, EL582 and PE580 have various settable functions in one lock case

- change of handing
- selecting the side of handle control
- settable fail locked / fail unlocked function
- deadlocked only when the door is closed
- deadbolt either 14 or 20mm throw (EL580, EL582)

FUNCTION

Handle controlled locks can be set to function as fail locked or as fail unlocked. In the fail locked setting, the lock can be opened by handle when power is on and cannot be opened by handle when power is off. In the fail unlocked setting, the electrical function is reversed.

The locks are automatically deadlocked when the door is closed. False triggering is not possible (20 mm bolt throw in EL580 / EL582).

In ABLOY EL580 and PE580 the outside

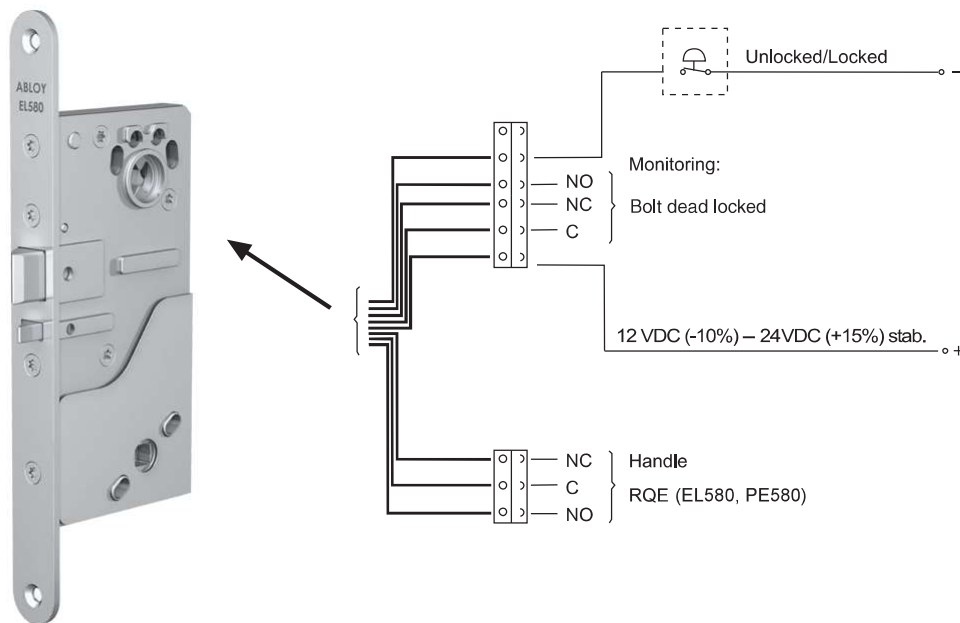
handle is electrically controlled. The lock can always be opened from the inside by handle (EL580 / EN 179) or by panic bar (PE580 / EN 1125). In order to function correctly, the handle requires a split spindle.

Mechanical opening by cylinder is always possible.

In ABLOY EL582 both inside and outside handles are electrically controlled. Mechanical opening by cylinder or thumbturn is always possible.



WIRING PRINCIPLE



MONITORING

The locks are equipped with the following monitoring outputs:

- bolt dead locked
- handle down
- request to exit, RQE (EL580, PE580)

COMPATIBILITY CHART FOR CYLINDERS AND ACCESSORIES (please order separately)

CYLINDERS AND FITTINGS		ACCESSORIES				
ABLOY® NOVEL (U) ABLOY® PROTEC ² (T)		HANDLE / PANIC BAR	STRIKE	CABLE	LEAD COVER	
EL580, PE580	Single w/ plate CY037U, T (F)	CY201U, T (SO)** CY200T (SO) CY203U, T (SR)	See ABLOY Architectural Hardware brochure.	Flush door: LP712 LP717	EA210 (6m) EA220 (10m)	EA280 EA281
EL582	Single w/ thumbturn CY001U, T (F) * CY028U, T *	CY204U, T (SR)	Panic bar for PE580: PBE001	Rebated door: LP722 LP732		
	Double CY002U, T (F) CY029U, T (F)	CY205U, T (SR) CY202U, T (SO)	It is recommended to use handles with return springs on both sides of the door.			

*) compatible with emergency exit dome CH020
**) CY201 single cylinder only, without plate/ thumbturn

SO = Scandinavian oval, F= Finnish,
SR = Scandinavian round