

Latch & bathroom lock

3098

3098 latch

ASSA ABLOY

Application:

Latches are suitable for doors which do not need to be locked. Bathroom Locks are suitable for bathroom and toilet doors.

Bathroom Locks may be fitted with the ASSA Distinction 3555T or the ASSA 263 accessories, which incorporate a red/white indicator and thumbturn. Alternatively, standard UK dimensioned door furniture may be fitted.

Supplied as standard with striking plate. Both square and rounded faceplates are available as standard.

For finishes and dimensions see Lockcases Information appendix.

When ordering please specify door thickness.

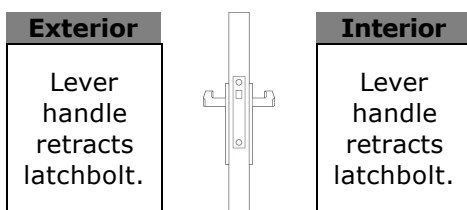


Specification:

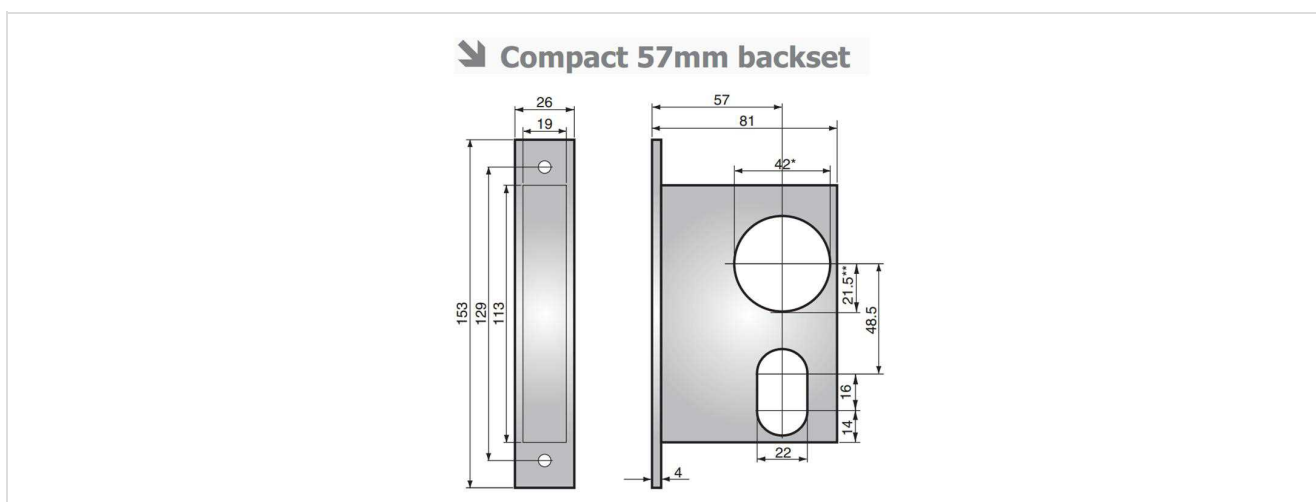
Steel latchbolt operated by lever handles. Latchbolt reversible without opening lockcase.

Usable with DIN Severe Duty rated handles.

Available with 57mm backset.



Technical Design:



Variants:

Code	Description
10015563013	3098 57MM - 18MM LATCH