

Sash lock & deadlock

3065

3065 sash lock

ASSA ABLOY

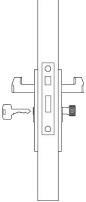
Application:

Sash locks are suitable for entrance doors to offices, private houses, industrial premises, shops and similar. Deadlocks are suitable for swing doors in corridors and entrances, and as a secondary lock on any door. Available with single cylinder and thumbturn, or alternatively with double cylinders or single cylinder only. Uses either Euro or UK Oval profile cylinders. Supplied as standard with security box striking plate. Both square and rounded faceplates are available as standard. For finishes and dimensions see Lockcases Information appendix. When ordering please specify door thickness.

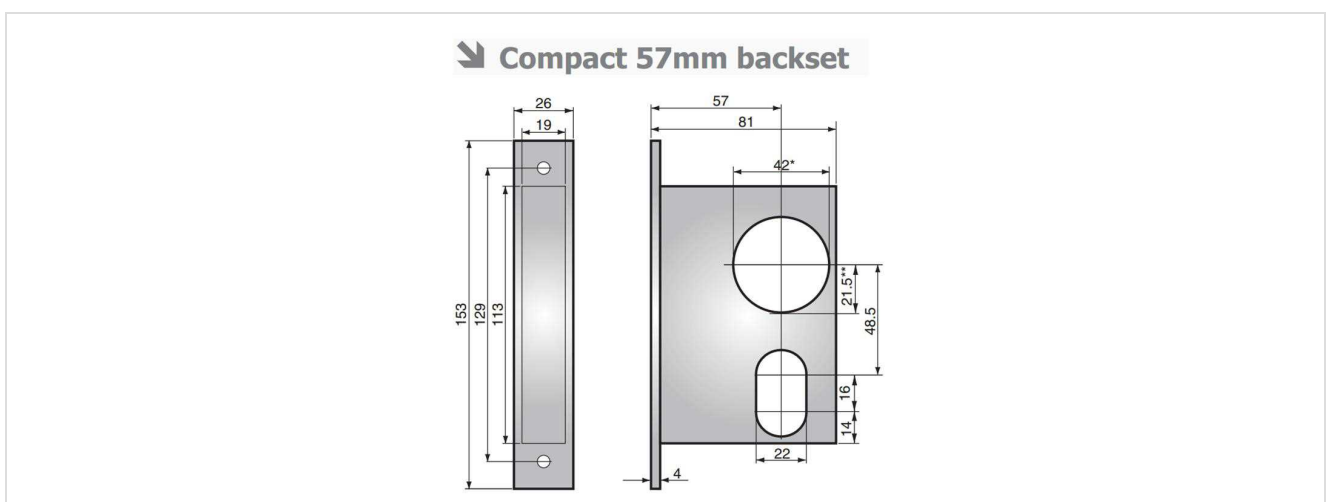


Specification:

Hardened steel deadbolt thrown 20mm by 360° turn of key or thumbturn. Usable with DIN Severe Duty rated handles. Latchbolt reversible without opening lockcase. Available with 57mm backset.

Exterior		Interior
Key operates deadbolt. Lever handle retracts latchbolt.		Turn operates deadbolt. Lever handle retracts latchbolt.

Technical Design:



Sash lock & deadlock

3065

3065 sash lock

ASSA ABLOY

Variants:

Code	Description
10015363013	3065 57MM SASH LOCK 18MM LATCH
10018363013	3065 57MM SASH LOCK RFP 18MM LATCH
10177310713	3065 ROUND FACEPLATE 14MM LATCH